

EBM.36/P-18V

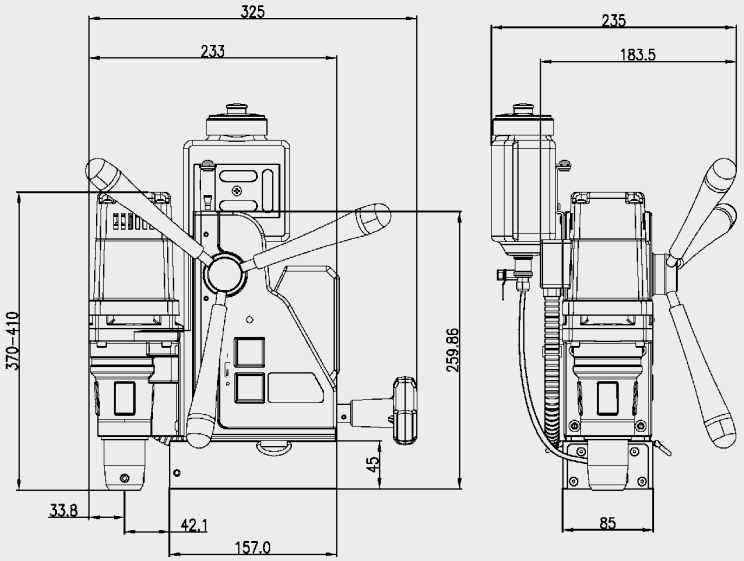
Cordless magnetic drilling machine

EUROBOOR

FOR PROFESSIONALS BY PROFESSIONALS

Technical data

	Metric	Imperial
Annular cutting	Ø 12 - 36 mm	Ø 7/16" - 1 7/16"
Twist drilling	Ø 1 - 13 mm	Ø 1/16" - 1/2"
Countersinking	Ø 10 - 40 mm	Ø 3/8" - 1 9/16"
Length	325 mm	12 13/16"
Width	235 mm	9 1/4"
Height	370 - 410 mm	14 9/16" - 16 1/8"
Stroke	140 mm	5 1/2"
Weight (incl. batt)*	10.2 kg	22.4 lbs
Magnet (l x w x h)	157 x 85 x 45 mm	6 3/16" x 3 3/8" x 1 3/4"
Magnetic force	650 kg	1,433 lbs
Min. material thickness	6 mm	1/4"
Motor power	1,000 W	
Total power	1,000 W	
Speed (no load)		530 rpm
Speed (load)		430 rpm
Spindle (Weldon)	19.05 mm	3/4"
Battery capacity	18 V 5 Ah Li-ion, 18 V 9 Ah Li-ion	



* Without handles

Features



Battery operated



Permanent magnet



Brushless motor



Makita LXT 18V platform



Magnet LED-indicator (SensorTec)



Euroboor makes every effort to meet quality and integrity requirements. That is why we as an organization are proud of the recognition of some leading organizations worldwide:



www.euroboor.com